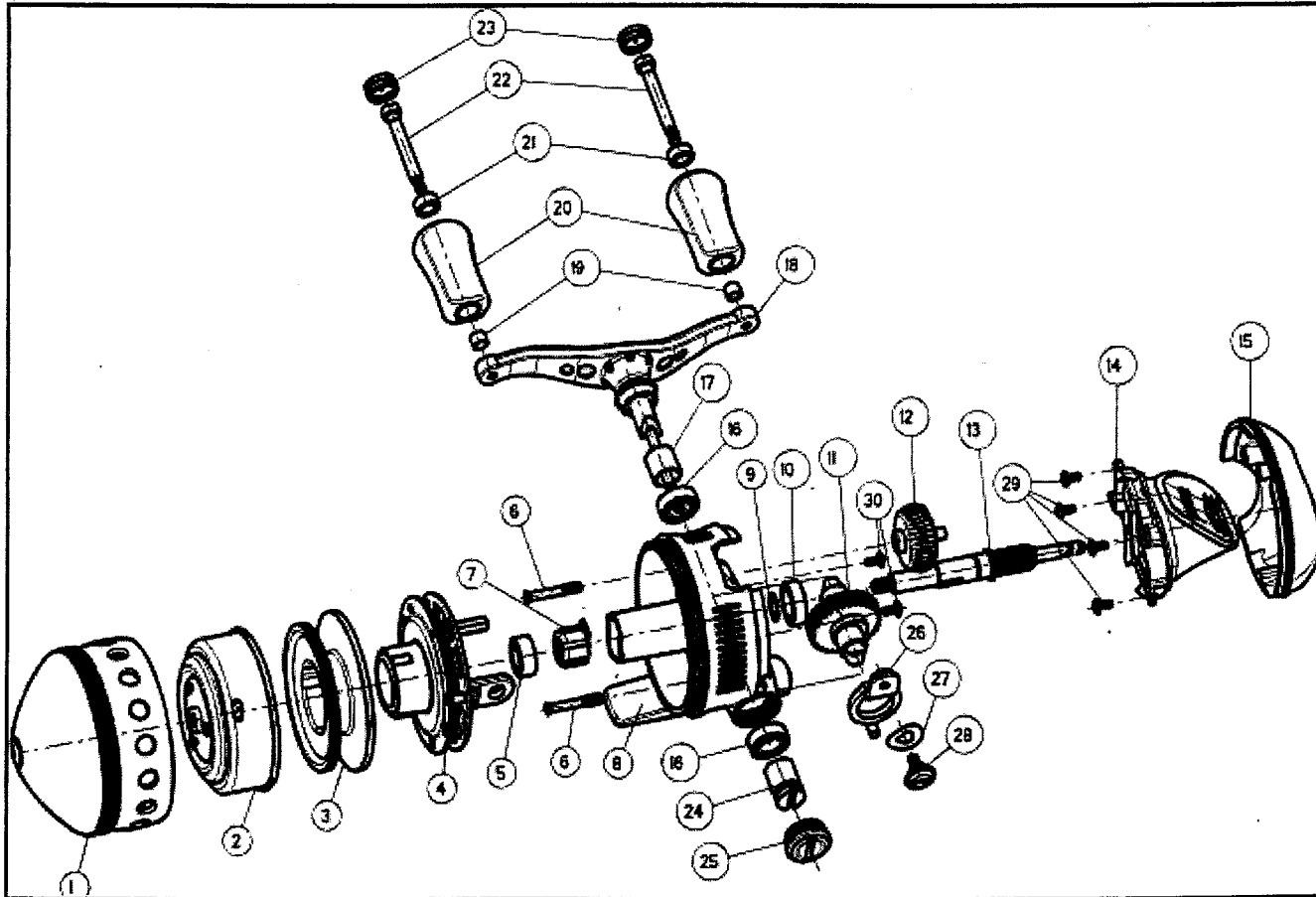


Z03

Assembly :

**OMEGA**

**Schematic View**



Assembly : **OMEGA**

**Part List**

| KEY No. | PART No. | PRICE | DESCRIPTION   | COMMENTS |
|---------|----------|-------|---|----------|
| 1       | QE324    | -     | FRONT COVER ASSY.                                   | -        |
| 2       | QE310    | -     | SPINNERHEAD ASSY.                                   | -        |
| 3       | QE021    | -     | SPOOL   | -        |
| 4       | QE3189   | -     | SPOOL CARRIER ASSY.                                 | -        |
| 5       | QE017    | -     | BALL BEARING (6.35 X 12.7 X 4.75)                   | -        |
| 6       | QE130    | -     | SCREW, BACK COVER TO BODY                           | -        |
| 7       | NR112    | -     | ANTI-REVERSE CLUTCH, SPLINED O.D., 12 X 6.35 X 8.36 | -        |
| 8       | QE001    | -     | BODY ASSY.  | -        |
| 9       | QE029    | -     | RETAINER, BEARING                                   | -        |
| 10      | QE097    | -     | BALL BEARING (8 X 14 X 4)                           | -        |
| 11      | QE012    | -     | DRIVE GEAR  | -        |
| 12      | QE032    | -     | CLUTCH WHEEL, DRAG ADJ.                             | -        |
| 13      | QE315    | -     | CENTER SHAFT ASSY.                                  | -        |
| 14      | QE009    | -     | THUMB STOP ASSY.                                    | -        |
| 15      | QE023    | -     | BACK COVER  | -        |
| 16      | QE026    | -     | BALL BEARING (7 X 13 X 4)                           | -        |
| 17      | QE106    | -     | SPACER, THRUST                                      | -        |
| 18      | QE318    | -     | CRANK HANDLE ASSY.                                  | -        |
| 19      | QE039    | -     | SPACER, HANDLE PIN                                  | -        |
| 20      | QE313    | -     | HANDLE KNOB ASSY.                                   | -        |
| 21      | QE099    | -     | BALL BEARING (4 X 8 X 3)                            | -        |
| 22      | QE005    | -     | PIN, HANDLE KNOB                                    | -        |
| 23      | QE074    | -     | CAP, KNOB PIN                                       | -        |
| 24      | QE369    | -     | CRANK ROD NUT ASSY.                                 | -        |
| 25      | QE095    | -     | CAP, CRANK ROD NUT                                  | -        |
| 26      | QE085    | -     | OSCILLATOR  | -        |
| 27      | QERR111  | -     | WASHER  | -        |
| 28      | QE102    | -     | SCREW, OSCILLATOR                                   | -        |
| 29      | QERR131  | -     | SCREW   | -        |